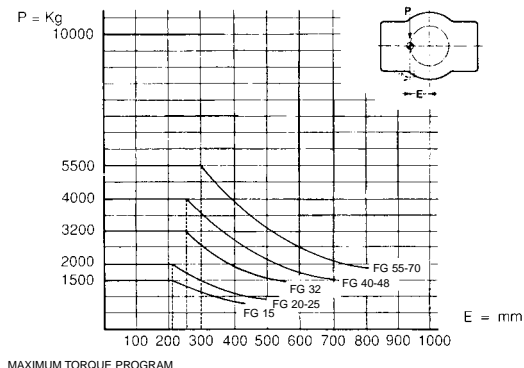


Max. attachment capacity is only a structural rating. The effective capacity must be determined according to: the lift truck capacity, the load dimensions, the type of product to be handled and the operating conditions.

| Model   | Capacity | Load center | Frame width | Weight | Center of Gravity | Horizontal Effective thickness | Max torque | Rotation speed | Mounting class | Total height | Rotation center | Total thickness | Max external forks spread | Lower rotator width | Fork carriage off-center | Fork carriage thickness | Oil flow |
|---------|----------|-------------|-------------|--------|-------------------|--------------------------------|------------|----------------|----------------|--------------|-----------------|-----------------|---------------------------|---------------------|--------------------------|-------------------------|----------|
|         | kg       | mm          | mm          | kg     | HCG mm            | LL mm                          | CN kg/mm   | DC round/min   | ISO 2328       | O mm         | CM mm           | DB mm           | N mm                      | M mm                | BO mm                    | BH mm                   | CG mm    |
| FG08XXO | 800      | 500         | 850         | 215    | 75                | 146                            | 360        | 5.9            | 1              | 750          | 297             | 175             | 750                       | 120                 | 90                       | 35                      | 25       |
| FG15X9A | 1500     | 500         | 900         | 215    | 75                | 146                            | 400        | 5.9            | 2              | 750          | 297             | 175             | 780                       | 120                 | 35                       | 35                      | 40       |
| FG2010A | 2000     | 500         | 980         | 220    | 84                | 146                            | 500        | 5.9            | 2              | 750          | 297             | 175             | 860                       | 120                 | 35                       | 35                      | 45       |
| FG2510A | 2500     | 500         | 980         | 230    | 84                | 146                            | 500        | 5.9            | 2              | 750          | 297             | 175             | 860                       | 120                 | 35                       | 35                      | 45       |
| FG3211B | 3200     | 500         | 1150        | 360    | 100               | 162                            | 800        | 4.8            | 3              | 870          | 354             | 195             | 1030                      | 120                 | 35                       | 40                      | 55       |
| FG4011B | 4000     | 500         | 1150        | 380    | 108               | 182                            | 800        | 4.8            | 3              | 870          | 354             | 195             | 1030                      | 120                 | 35                       | 40                      | 90       |
| FG4815B | 4800     | 500         | 1550        | 430    | 113               | 187                            | 900        | 4.3            | 3              | 1083         | 441             | 240             | 1430                      | 160                 | 65                       | 50                      | 130      |
| FG5517C | 5500     | 600         | 1740        | 760    | 115               | 186                            | 1500       | 4.3            | 4              | 1083         | 441             | 240             | 1580                      | 160                 | 65                       | 50                      | 130      |
| FG7017C | 7000     | 600         | 1740        | 770    | 115               | 186                            | 1500       | 4.3            | 4              | 1083         | 441             | 240             | 1580                      | 160                 | 65                       | 50                      | 130      |

Rotators are delivered without forks. Original lift truck forks can be used without any modification. Note that fork capacity must be adequate for the handling needs.



Load capacity according to a nominal load centre rating of mm 500 (600 mm for FG55 FG70 types) and to the torque that the attachment can transmit. The load must be reduced according to the distance between the load centre and the rotation-centre (see graphic).

# BOLZONI AURAMO

**BOLZONI S.p.A.**  
29027 Casoni di Podenzano (Piacenza) Italy  
Tel: +39-0523-555511 (r.a.)  
Fax: +39-0523-524087  
E-mail: sales.it@bolzoni-auramo.com

**AURAMO OY**  
P.O. Box 78 (Valimotie 22) 01511 Vantaa - Finland  
Tel: +358-9-82931  
Fax: +358-9-8701037  
E-mail: sales.fi@bolzoni-auramo.com

**BOLZONI AURAMO GmbH**  
P.O. Box 101224 - Stockkamp 12-14 42612 Solingen - Germany  
Tel: +49-212-24041-0  
Fax: +49-212-24041-99  
E-mail: sales.de@bolzoni-auramo.com

**BOLZONI AURAMO SARL**  
Rue Avogadro Technopôle de Forbach-Sud 57600 Forbach - France  
Tel: +33-3-87846540  
Fax: +33-3-87846545  
E-mail: sales.fr@bolzoni-auramo.com

**BOLZONI AURAMO S.L.**  
Polig. Industrial Riera de Caldes C/Dels Basters, 12-14 Apdo. de Correos, 62 08184 Palau de Plegamans (Barcelona) Spain  
Tel: +34-93-8648633  
Fax: +34-93-8648350  
E-mail: sales.es@bolzoni-auramo.com

**BOLZONI AURAMO LTD**  
Unit 10, Taurus Park Europa Boulevard - West Brook Warrington Cheshire WA5 7ZT United Kingdom  
Tel: +44-1925-624570  
Fax: +44-1925-624578  
E-mail: sales.uk@bolzoni-auramo.com

**BOLZONI AURAMO RENTAL LTD**  
Unit 10, Taurus Park Europa Boulevard - West Brook Warrington Cheshire WA5 7ZT United Kingdom  
Tel: +44-1925-624570  
Fax: +44-1925-624579  
E-mail: sales.uk@bolzoni-auramo.com

**BOLZONI AURAMO AB**  
P.O. Box 172 80103 Gävle - Sweden  
Tel: +46-26-647230  
Fax: +46-26-647235  
E-mail: sales.se@bolzoni-auramo.com

**BOLZONI AURAMO S.r.l.**  
S.S. 16 Km 770+580 70052 Bisceglie (BA) - Italy  
Tel: +39-080-3951437  
Fax: +39-080-3951393  
E-mail: sales.it@bolzoni-auramo.com

**BOLZONI AURAMO POLSKA**  
Ul. Partyzancka 52 21-020 Milejów - Poland  
Tel: +48-81-4626464  
Fax: +48-81-4626464  
E-mail: sales.pl@bolzoni-auramo.com

**BRUDI BOLZONI AURAMO INC.**  
17635 Hoffman Way Homewood, Illinois 60430 - U.S.A.  
Tel: +1-800-3585438 (USA only)  
Tel: +1-708-9578809  
Fax: +1-708-9578832  
E-mail: sales.us@bolzoni-auramo.com

**BRUDI BOLZONI AURAMO Ltd.**  
90C Brunswick Blvd Dollard-des-Ormeaux, Quebec H9B 2C5 - Canada  
Tel: +1-800-685-7871 (Canada only)  
Tel: +1-514-685-7871  
Fax: +1-514-685-5238  
E-mail: sales.ca@bolzoni-auramo.com

**BOLZONI AURAMO S.A.**  
Av. Isidora Goyenechea 2925 Office 103 - Las Condes Santiago - Chile  
Tel: +56-2-2312779  
Fax: +56-2-2335148  
E-mail: sales.cl@bolzoni-auramo.com

**BOLZONI AURAMO AUSTRALIA (Pty) Ltd.**  
P.O. Box 7198 Baulkham Hills DC - NSW 2153 Australia  
Tel: +61-2-9659-2224  
Fax: +61-2-9659-2225  
E-mail: sales.au@bolzoni-auramo.com

**BOLZONI AURAMO NEW ZEALAND Ltd.**  
P.O. Box 34941 - Birkenhead Auckland - New Zealand  
Tel: +64-9-4810410  
Fax: +64-9-4810411  
E-mail: sales.nz@bolzoni-auramo.com

**BOLZONI AURAMO SOUTH AFRICA (Pty) Ltd.**  
P.O. Box 915 - Benoni 1500 South Africa  
Tel: +27-11-421-0738  
Fax: +27-11-421-5208  
E-mail: sales.za@bolzoni-auramo.com

**AURAMO BALTIC OÜ**  
Suur-Sõjamäe 10 Tallinn 11415 - Estonia  
Tel: +372-6-101114  
Fax: +372-6-101158  
E-mail: sales.ee@bolzoni-auramo.com

**AURAMO S.p.A.**  
Loc. Campogrande, 6 29013 Carpaneto (PC) - Italy  
Tel: +39-0523-852838  
Fax: +39-0523-859575  
E-mail: sales.it@bolzoni-auramo.com

**B&B ATTACHMENTS Ltd.**  
New Mills Industrial Estate Inkpen - Hungerford Berkshire - RG1 79PU - United Kingdom  
Tel: +44-1488-668701  
Fax: +44-1488-668724  
E-mail: sales@bandbattachments.com

**MCGOWAN ENGINEERING LTD**  
Lightburn Road Cambuslang - Glasgow G72 7XS Scotland (U.K.)  
Tel: +44-141-641-3648 / 2359  
Fax: +44-141-641-5147  
E-mail: info@mcgowaneng.co.uk

**HYDRONIKA BV**  
Waterbeemd 6a Industrieterrein "De Weijer-West" 5705 DN Helmond - The Netherlands  
Tel: +31-492-472700  
Fax: +31-492-382844  
E-mail: info@hydronika.nl

**CEMAT s.r.o.**  
Ul. CSA 196 735 51 Bohumin-Pudlov - Czech Republic  
Tel: +42-69-6013541-3  
Fax: +42-69-6013522  
E-mail: cemat@cemat.cz

**TECNOSIL LDA.**  
Calçada do Grilo, 17-19 1900 Lisboa - Portugal  
Tel: +351-21-8686496  
Fax: +351-21-8681799  
E-mail: tecnosil@tecnosil.pt

**EUROLIFT Pty. Ltd.**  
2/81 Harrison Road Dudley Park 5008 South Australia  
Tel: +61-8-83463555  
Fax: +61-8-83469422  
E-mail: eurolift@camtech.net.au

**KGM Handling and Storage Equipment**  
Private Bag X29 - Somerset West 7129 South Africa  
Tel: +27-21-8553798  
Fax: +27-21-8553794  
E-mail: kgmhandling@mweb.co.za

**INSTANT INDUSTRIES ASIA Pte. Ltd**  
243 Ubi Avenue 4 Intrepid Warehouse Complex Singapore 408823  
Tel: +65-745-6000 / 7458777  
Fax: +65-745-8222  
E-mail: industries@instant.com.sg

**INSTANT MATERIALS HANDLING SDN BHD**  
No. 23, 1st Floor Jln TSB 10A Tmn. Industri Sg. Buloh, 47000 - Sungai Buloh, Selangor Darul Ehsan Malaysia  
Tel: +60-3-61572896  
Fax: +60-3-61570781  
E-mail: imhsb@tm.net.my

**ADJL INTERNATIONAL (TAIWAN) LTD.**  
4-6Fl., N. 28, Sec. 3, Chung San North Rd. Taipei - Taiwan  
Tel: +886-2-2668-6768 / 69 / 70  
Fax: +886-2-2668-6773  
E-mail: adjl@saturn.seed.net.tw

**SHANGHAI SOLID LIFTING EQUIPMENT Co., Ltd.**  
No.6, 2165 Alley, Wuzhong Road, Shanghai, 201105 P.R. China  
Tel: +86-21-54865958  
Fax: +86-21-54865998  
E-mail: guanjie@mail.hf.ah.cn

**PT AURAMO Mekanika Tradindo**  
JL Agung Perkasa 10/11 Sunter Agung Podomoro Jakarta 14350 Indonesia  
Tel: +62-21-6521247  
Fax: +62-21-6512378  
E-mail: sales.id@bolzoni-auramo.com



www.bolzoni-auramo.com

79001256 - 1,0M - 0302 - E



revolving carriage

# revolving carriage

The Bolzoni Auramo revolving carriage can advantageously be used for load rotation as well as the emptying of boxes or palletised containers.

Thanks to this device it is possible to use the lift-truck for applications which otherwise would not be possible, however still allowing to use the truck as a normal fork lift-truck. This very versatile attachment can be easily used in several fields of the industry, particularly in the food and metallurgical industries as well as those where swarf and waste are generally gathered into metal boxes and then poured off into bigger containers.

The sealing system allows the use of the standard unit even in severe applications (foundries, fish industry, tanneries).

## MAIN ADVANTAGES

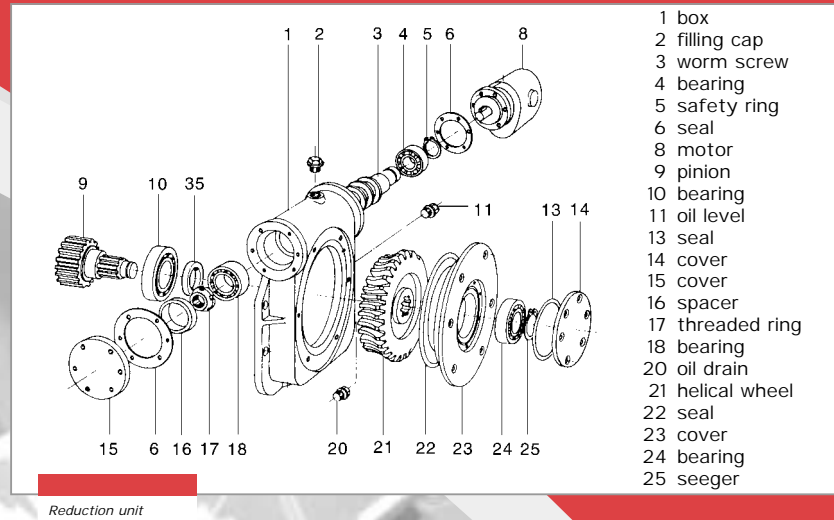
- Continuous load lateral rotation (360°) either clockwise or counterclockwise.
- Higher residual capacity because of low weight and centre of gravity as well as a reduced thickness.
- Very good visibility because of an opening in the middle of the attachment: the lift-truck driver can see the tips of forks in most conditions.
- Use of the original lift-truck forks without any modification: in fact the fork carriage bars, welded to the cover, are made in accordance with existing norms and patented clamps keep forks in position during rotation.
- Casehardened steel worm-screw with ground tooth finish.
- High resistance bronze gear ring with special profile teeth of our design.
- Reduction unit with high speed hydraulic motor allowing a high rotation torque.
- Reduction ratio ensures irreversible movement both in maximum torque condition and high rotation speed.

## ON REQUEST:

- Semi-integral side shift.
- Bolt-on carriage bars of various widths.
- Double non-return valve for low oil flow.
- Hydraulic motors of different displacement to vary rotation speed (smaller displacements increase proportionally the speed but reduce the revolving torque).
- Special zinc-based painting for application in corrosive environments.

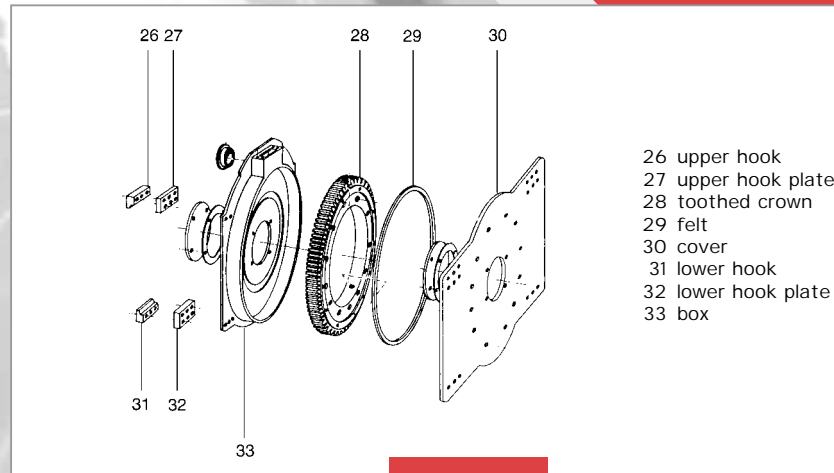


360° rotator - model FG



- 1 box
- 2 filling cap
- 3 worm screw
- 4 bearing
- 5 safety ring
- 6 seal
- 8 motor
- 9 pinion
- 10 bearing
- 11 oil level
- 13 seal
- 14 cover
- 15 cover
- 16 spacer
- 17 threaded ring
- 18 bearing
- 20 oil drain
- 21 helical wheel
- 22 seal
- 23 cover
- 24 bearing
- 25 seeger

Reduction unit



- 26 upper hook
- 27 upper hook plate
- 28 toothed crown
- 29 felt
- 30 cover
- 31 lower hook
- 32 lower hook plate
- 33 box

Revolving apron



Hardened steel gear

