

We build a better future

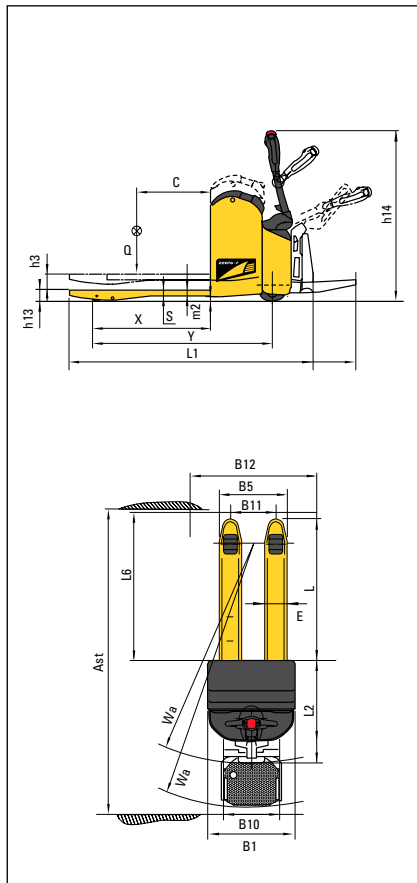


22EP6-7

22EP9-7

WAREHOUSE EQUIPMENT Electric pallet trucks

TECHNICAL DRAWING



DETAIL



SPECIFICATIONS

Identification		22 EP6 - 7	22 EP9 - 7
1.1	Manufacturer	Hyundai	Hyundai
1.2	Type	22EP6-7	22EP9-7
1.3	Drive: electric (battery or mains), diesel, petrol, fuel gas, manual	Battery	Battery
1.4	Type of operation: hand, pedestrian, standing, seated, order-picker	pedestrian, standing	pedestrian, standing
1.5	Load capacity (standard)	kg 2200	2200
1.6	Load center distance	C mm 600	600
1.8	Load distance, fork face to track wheels (raised position)	X mm 953	953
1.9	Wheelbase (drive axle to track wheels) raised / lowered	Y mm 1452 / 1392	1452 / 1392
Weights			
2.1	Service weight	kg 600	605
2.2	Axle loading, loaded front / rear	kg 1234 / 1566	1237 / 1568
2.3	Axle loading, unloaded front / rear	kg 420 / 180	425 / 182
Wheels			
3.1	Tires	Polyurethane	Polyurethane
3.2	Tires size, front	mm 1 x (230 x 75)	1 x (230 x 75)
3.3	Tires size, rear	mm 4 x (82 x 70)	4 x (82 x 70)
3.4	Outrigger dimensions	mm 2 x (120 x 40)	2 x (120 x 40)
3.5	Wheels, number front / rear (X = driven wheels)	1 x 2/4	1 x 2/4
3.6	Track width, front	B10 mm 435	435
3.7	Track width, rear	B11 mm 365 - 505	365 - 505
Basic dimensions			
4.4	Lift height (standard)	h3 mm 125	125
4.9	Height of tiller in drive position (max)	h14 mm 1340	1340
4.15	Height of forks (lowered)	h13 mm 85	85
4.19	Overall length	L1 mm 2329 (1979)	2329 (1979)
4.20	Length to face of forks	L2 mm 1179 (829)	1179 (829)
4.21	Overall width	B1 mm 680	680
4.22	Fork dimensions	S x E x L mm 45 x 175 x 1150	45 x 175 x 1150
4.25	Width over forks	B5 mm 540 - 680	540 - 680
4.32	Ground clearance, centre of wheelbase	m2 mm 35	35
4.34	Aisle width for pallets lengthways	Ast mm 2530 (2180)	2579 (2199)
4.35	Turning radius (raised / lowered)	Wa mm 2130 (2070)	2130 (2070)
Performance data			
5.1	Travel speed, loaded / unloaded	km / h 5,6 / 6	8,5 / 9
5.2	Lift speed, loaded / unloaded	mm / s 290 / 380	290 / 380
5.3	Lowering speed, loaded / unloaded	mm / s 500 / 450	500 / 450
5.8	Max. Gradient performance, loaded / unloaded	% 10 / 20	12 / 20
5.10	Service brake	Electromagnetic	Electromagnetic
5.11	Parking brake	Handle release	Handle release
Drive unit			
6.1	Drive motor rating (S2 60 min)	kW 1	1,4
6.2	Lift motor rating at S3 10%	kW 1	1
6.3	Battery acc. To DIN43531 / 35 / 36, A, B, C	Traction	Traction
6.4	Battery voltage / nominal capacity	V / Ah 24 / 270 (360)	24 / 270 (360)
6.5	Battery weight (+ - 5%)	kg 270 / 360	270 / 360
Other details			
8.1	Type of drive control	SepeX Mosfet Variator	SepeX Mosfet Variator
8.4	Sound level at driver's ear (driving)	dB (A) 65	65

PLEASE CONTACT