

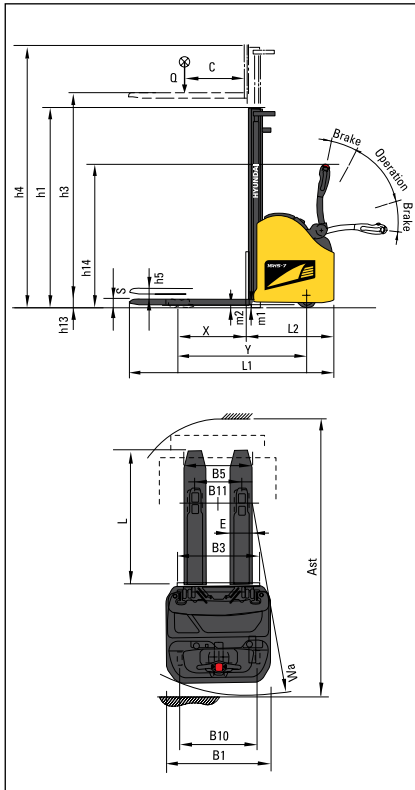


We build a better future

# 16HS(L)-7 20HS(L)-7

WAREHOUSE EQUIPMENT Electric stacker

## TECHNICAL DRAWING



## DETAIL



## MAST SPECIFICATIONS

16-20 HS-7 Mast Ref. dimensions in mm		Lift Height		Overall Height	
		Max h1	Free lift h2	Lowered h3	Extended h4
Simplex	S 15	1505	1505	1940	1960
	S 17	1755	1755	2190	2210
	D 29	2935	-	1940	3395
Duplex	D 34	3435	-	2190	3895
	D 38	3835	-	2390	4295
	DLL 29	2930	1505	1940	3390
Free lift duplex	DLL 34	3430	1755	2190	3890
	T 42	4255	-	1990	4795
Triplex	T 48	4855	-	2190	5395
	T 54	5455	-	2390	5995
	TLL 42	4245	1465	1900	4710
Free lift triplex	TLL 47	4725	1625	2060	5190

16-20 HSL-7 Mast Ref. dimensions in mm		Lift Height		Overall Height	
		Max h1	Free lift h2	Lowered h3	Extended h4
Simplex	S 15	1510*	1510*	1955*	1965*
	S 17	1760*	1760*	2205*	2215*
	D 29	2940*	-	1955*	3400*
Duplex	D 34	3440*	-	2205*	3900*
	D 38	3840*	-	2405*	4300*
	DLL 29	2935*	1510*	1955*	3395*
Free lift duplex	DLL 34	3435*	1760*	2205*	3895*
	T 42	4260*	-	2005*	4800*
Triplex	T 48	4860*	-	2205*	5400*
	T 54	5460*	-	2405*	6000*
	TLL 42	4250*	1470*	1915*	4725*
Free lift triplex	TLL 47	4730*	1630*	2075*	5205*

\* Please, add 110 mm for initial lift height

## SPECIFICATIONS

Identification		16 HS(L) - 7	20 HS(L) - 7
1.1	Manufacturer	Hyundai	Hyundai
1.2	Type	16HS-7 / 16HSL-7	20HS-7 / 20HSL-7
1.3	Drive: electric (battery or mains), diesel, petrol, fuel gas, manual	Battery	Battery
1.4	Type of operation: hand, pedestrian, standing, seated, order-picker	Pedestrian	Pedestrian
1.5	Load capacity (standard)	kg	1600
1.6	Load center distance	C mm	600
1.8	Load distance, fork face to track wheels (raised position)	X mm	675 - 851 / 809*
1.9	Wheelbase (drive axle to track wheels) raised / lowered	Y mm	1277 - 1529 / 1487*
1.9	Wheelbase (drive axle to track wheels) raised / lowered	Y mm	1334 - 1502 / 1544*
Weights			
2.1	Service weight	kg	1401
2.2	Axle loading, loaded front / rear	kg	1093 / 2162
2.3	Axle loading, unloaded front / rear	kg	1024 / 391
Wheels			
3.1	Tires		Polyurethane
3.2	Tires size, front	mm	1 x (230 x 75)
3.3	Tires size, rear	mm	1 x (82 x 68)
3.4	Outrigger dimensions	mm	1 x (140 x 60)
3.5	Wheels, number front / rear (X = driven wheels)		1 x 1/4
3.6	Track width, front	B10 mm	604
3.7	Track width, rear	B11 mm	403 - 675*
3.7	Track width, rear	B11 mm	403 - 375*
Basic dimensions			
4.2	Mast height (lowered)	h1 mm	1940 - 1955*
4.3	Free lift	h2 mm	-
4.4	Lift height (standard)	h3 mm	2850
4.5	Height with mast raised	h4 mm	3395 - 3400*
4.6	Initial lift	h5 mm	0 - 110*
4.9	Height of tiller in drive position (max)	h14 mm	1390
4.15	Height of forks (lowered)	h13 mm	85 - 90
4.19	Overall length	L1 mm	2033 - 2147*
4.20	Length to face of forks	L2 mm	883 - 957*
4.21	Overall width	B1 mm	890
4.22	Fork dimensions L x W x T	S x E x L mm	60 x 185 x 1150 - 60 x 200 x 1190*
4.24	Fork carriage width	B3 mm	700
4.25	Width over forks	B5 mm	575
4.26	Width between carrying arms (min / max)	B4 mm	-
4.31	Ground clearance, under mast	m1 mm	35 - 20*
4.32	Ground clearance, centre of wheelbase	m2 mm	25 - 20*
4.33	Aisle width for pallets 1000 x 1200 crossways (L x W)	Ast mm	2473 - 2655*
4.34	Aisle width for pallets 800 x 1200 lengthways (W x L)	Ast mm	2450 - 2567*
4.35	Turning radius (raised / lowered)	Wa mm	1591 - 1837*
4.35	Turning radius (raised / lowered)	Wa mm	1591 - 1837*
Performance data			
5.1	Travel speed, loaded / unloaded	km / h	5,5 / 6
5.2	Lift speed, loaded / unloaded	mm / s	120 / 260
5.3	Lowering speed, loaded / unloaded	mm / s	220 / 210
5.8	Max. Gradient performance, loaded / unloaded	%	7 / 10
5.10	Service brake		Electromagnetic
5.11	Parking brake		Handle release
Drive unit			
6.1	Drive motor rating (S2 60 min)	kW	1,2
6.2	Lift motor rating at S3 10%	kW	4,5
6.3	Battery acc. To DIN43531 / 35 / 36, A, B, C		Traction
6.4	Battery voltage / nominal capacity	V / Ah	24 / 270-(375) - 24 / 270-(375)
6.5	Battery weight (+ - 5%)	kg	270 - 375
6.5	Battery weight (+ - 5%)	kg	270 - 375
Other details			
8.1	Type of drive control		Sepex Mosfet Variator
8.4	Sound level at driver's ear (driving)	dB (A)	65

\*Only for models with initial lift

PLEASE CONTACT



Hyundai Heavy Industries Europe N.V.  
Vossendaal 11, 2440 Geel, Belgium  
Tel: (32) 14-562200 Fax: (32) 14-593405-06